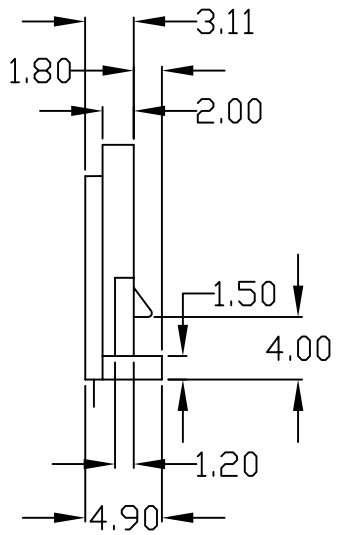
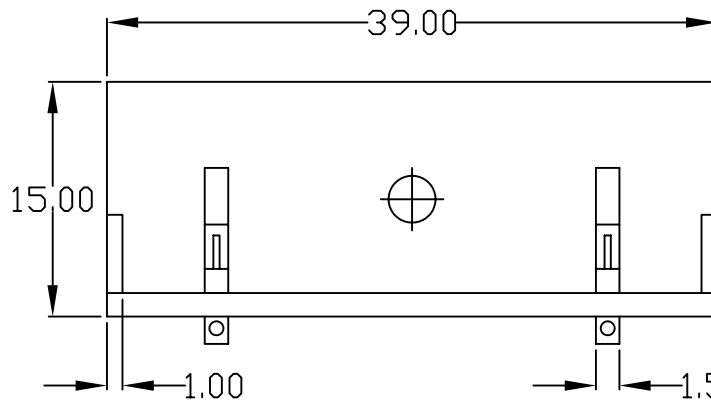


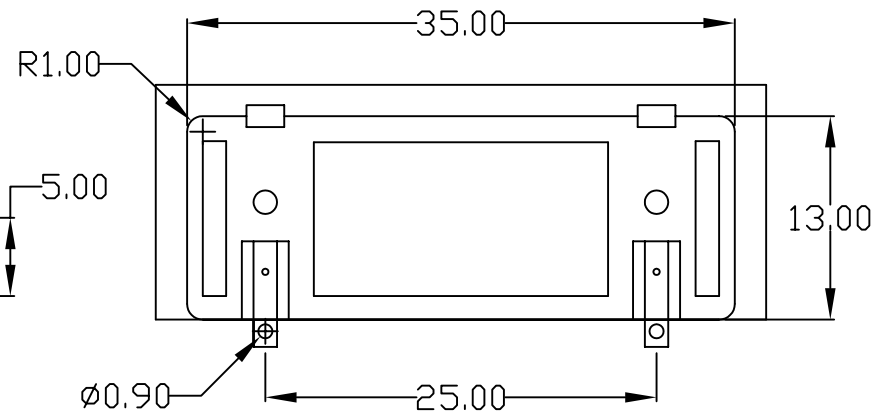
FRONT



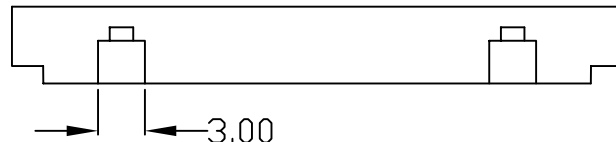
SIDE



TOP



BOTTOM



BACK

Note: Dimensions in mm

REV	DATE	DESCRIPTION	BY
TOLERANCES EXCEPT AS NOTED .X ±.015 .XX ±.010 .XXX ±.005		REMOVE SHARP CORNERS .010 x 45° TYP.	E-ONE MOLI ENERGY (CANADA) LIMITED TITLE <i>ISPK90004 (RoHS Compliant)</i> <i>CONTACT PLATE FOR MCR-1821J/1-H</i>
SURFACE TEXTURE 64 ✓		SCALE 1:1 DATE 02FEB07 DRAWN BY CB	
ANGULAR ±		CHK'D BY FILENAME	DRAWING NO. A-64371181 REV. A